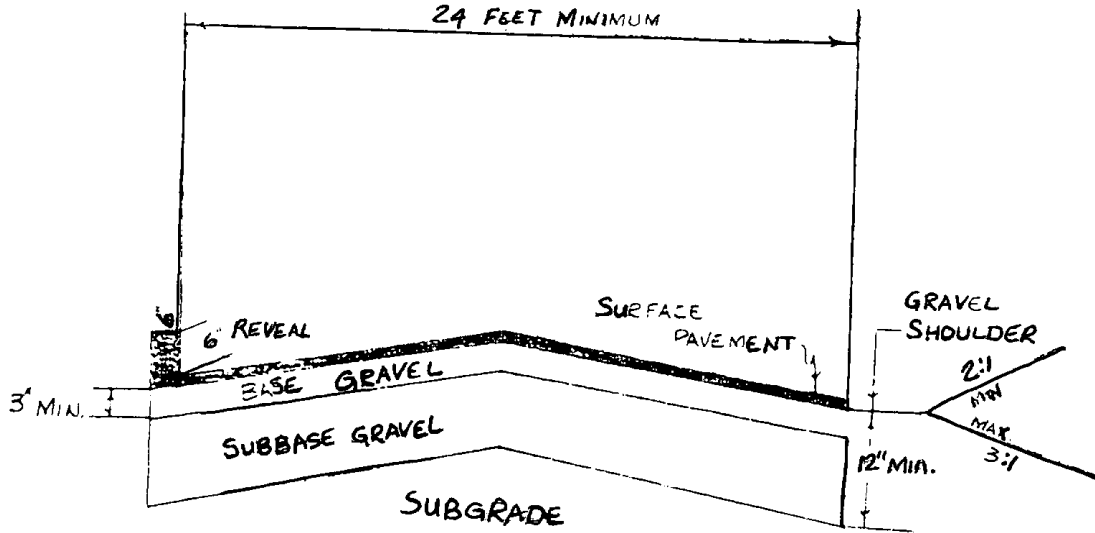


STREETS AND SIDEWALKS

201 Attachment 1

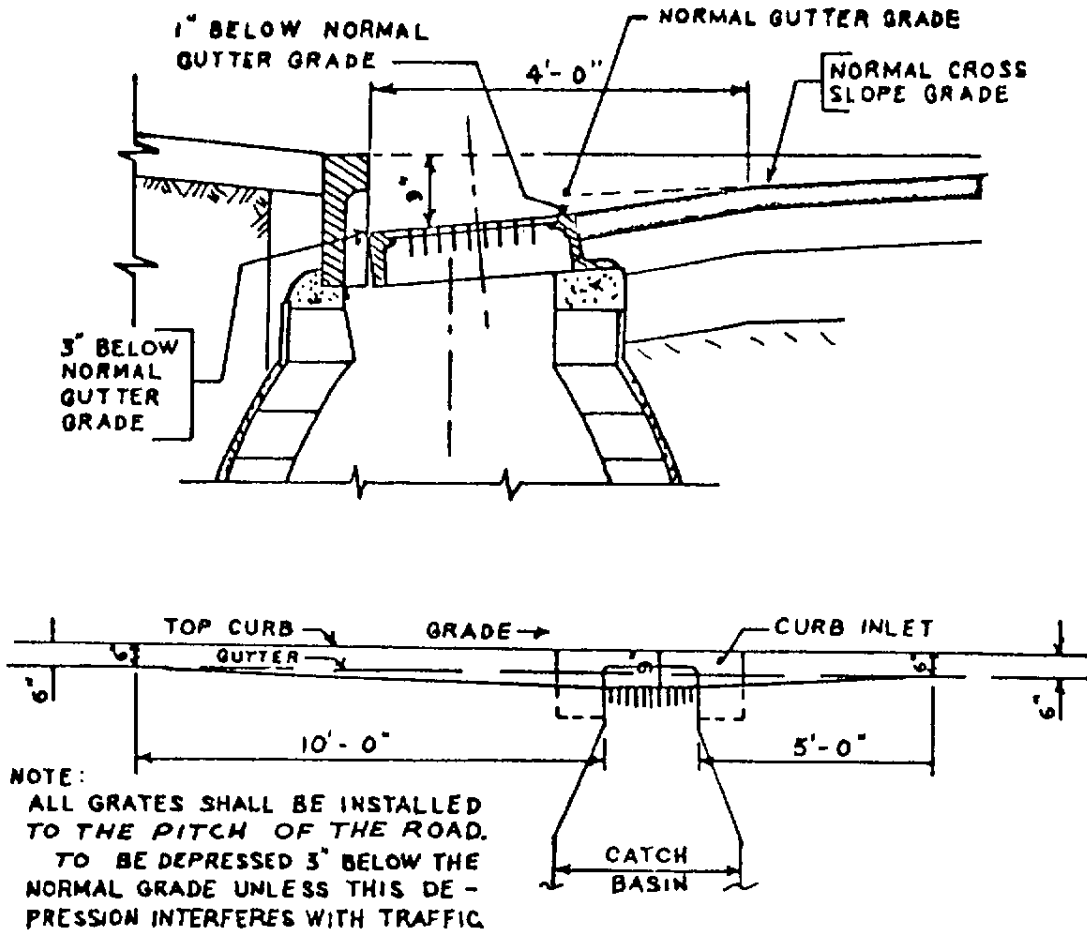
Town of Wells



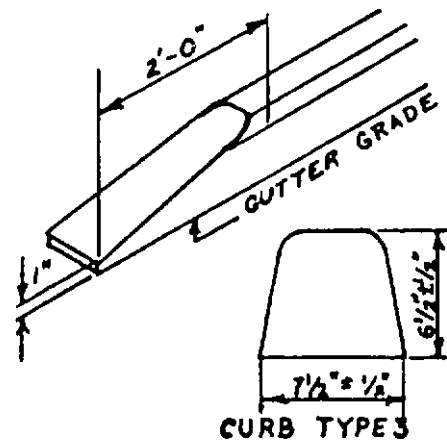
Base Gravel 28'

Typical Roadway Section

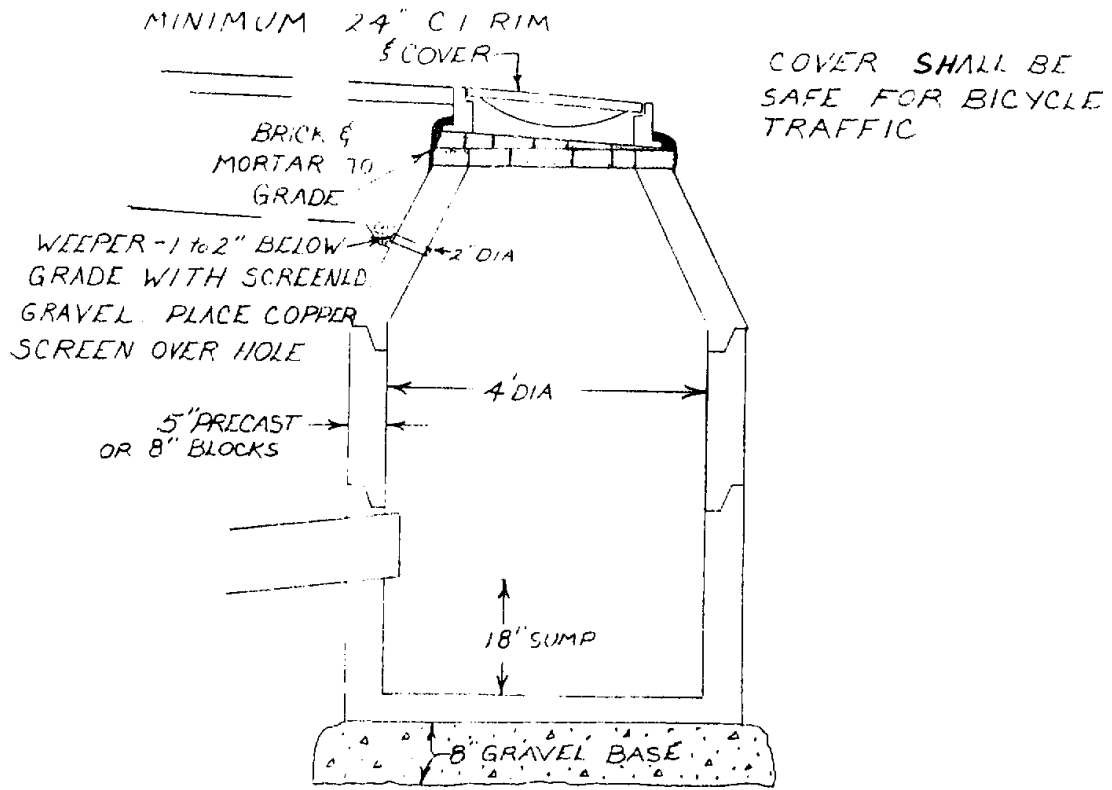
WELLS CODE



Gutter Grade Transition at Catch Basins

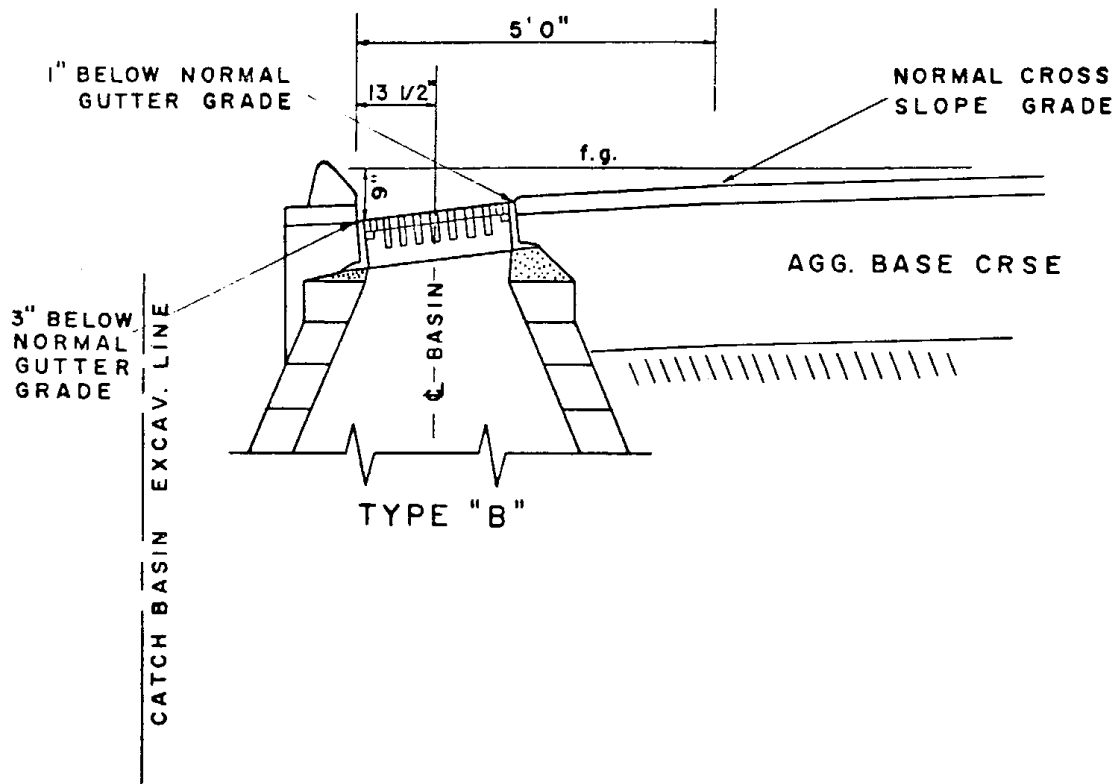


STREETS AND SIDEWALKS



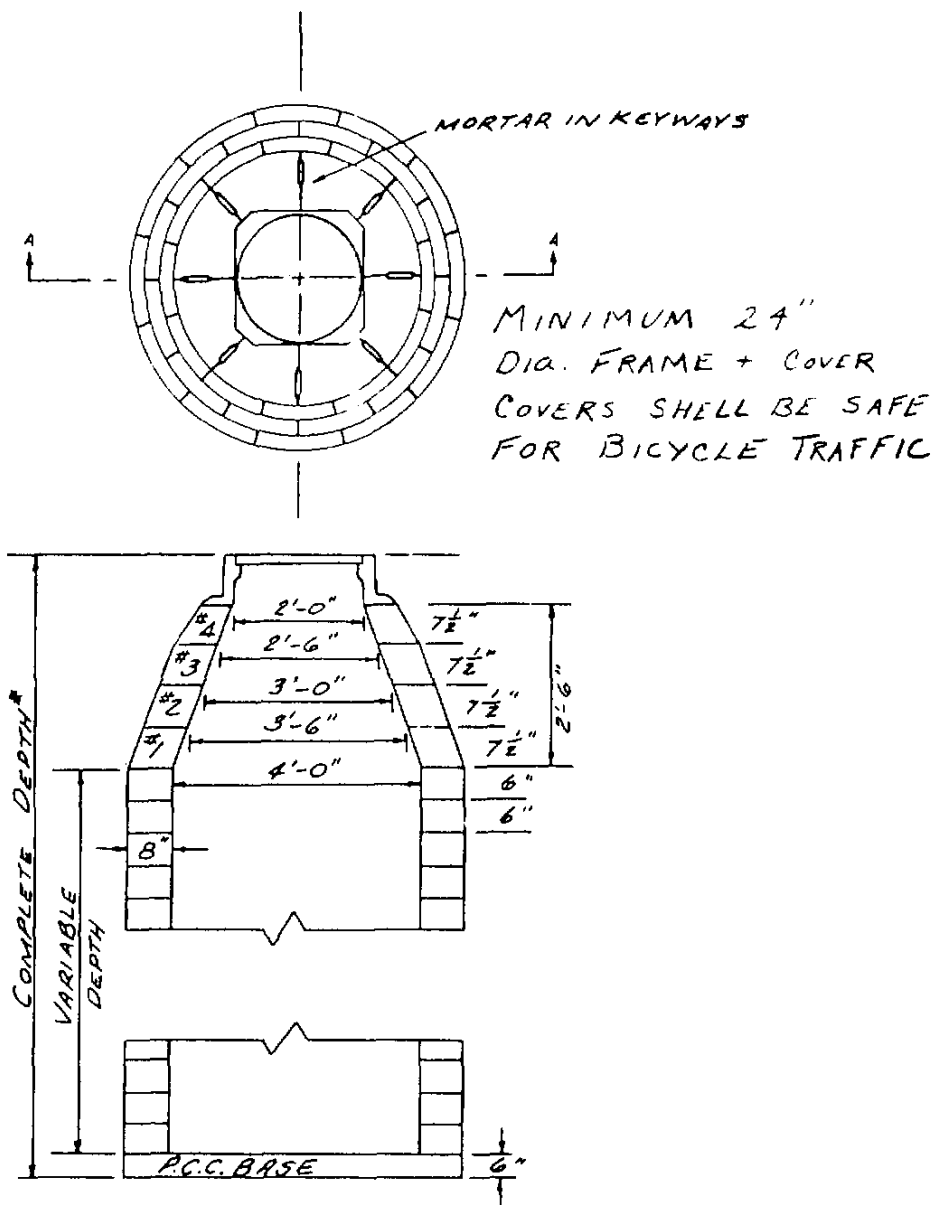
Typical Catch Basin

WELLS CODE



Gutter Grade Transition at Catch Basins

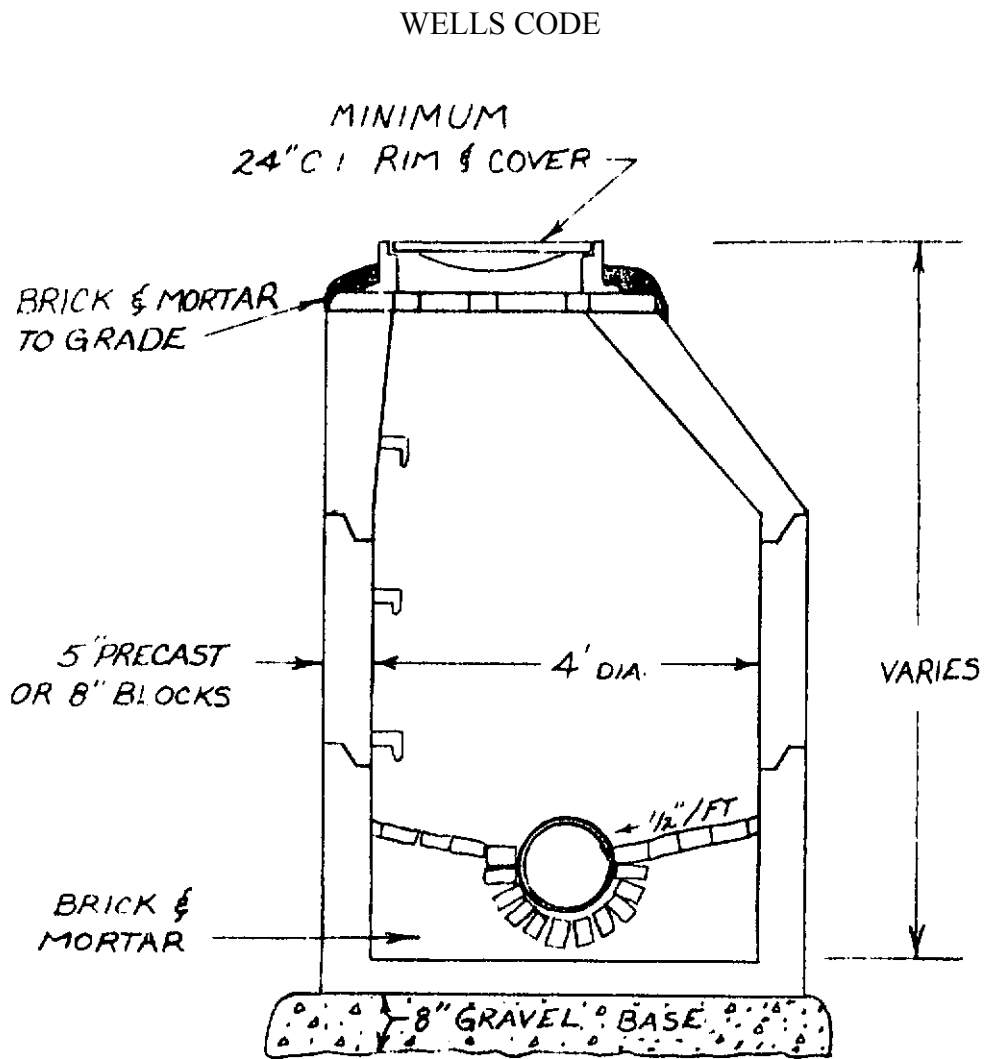
STREETS AND SIDEWALKS



* NOTE: COMPLETE DEPTH TO INCLUDE 6" BASE.

TYPE OF CATCH BASIN	BATTERS				BARREL BLOCKS to MAKE COMPLETE DEPTH*							
	#1	#2	#3	#4	6'	7'	8'	9'	10'	11'	12'	
B-1	12	12	12	12	60	84	108	132	156	180	204	

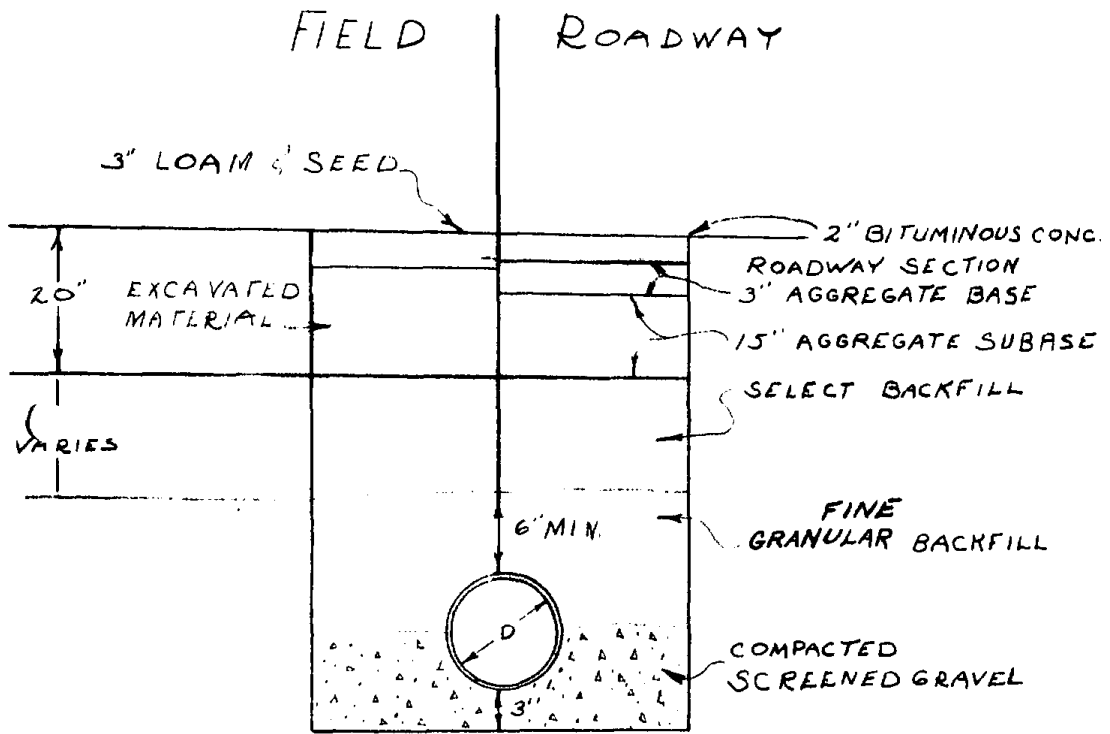
P.C.C. Block Catch Basin



Typical Man-Hole

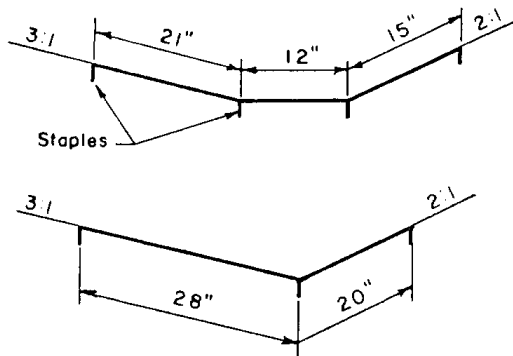
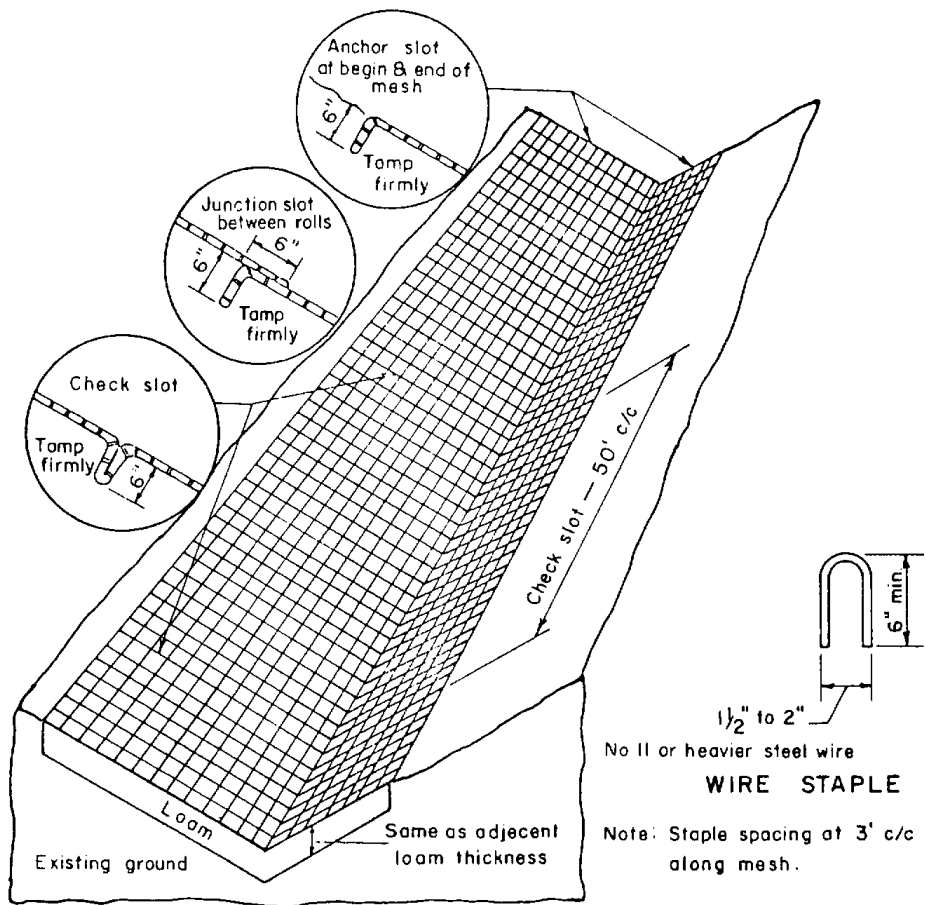
Sanitary manhole covers shall have the word "SEWER" and storm drain manhole covers shall have the word "DRAIN" in three inch letters cast on them.

STREETS AND SIDEWALKS



Typical Pipe Section

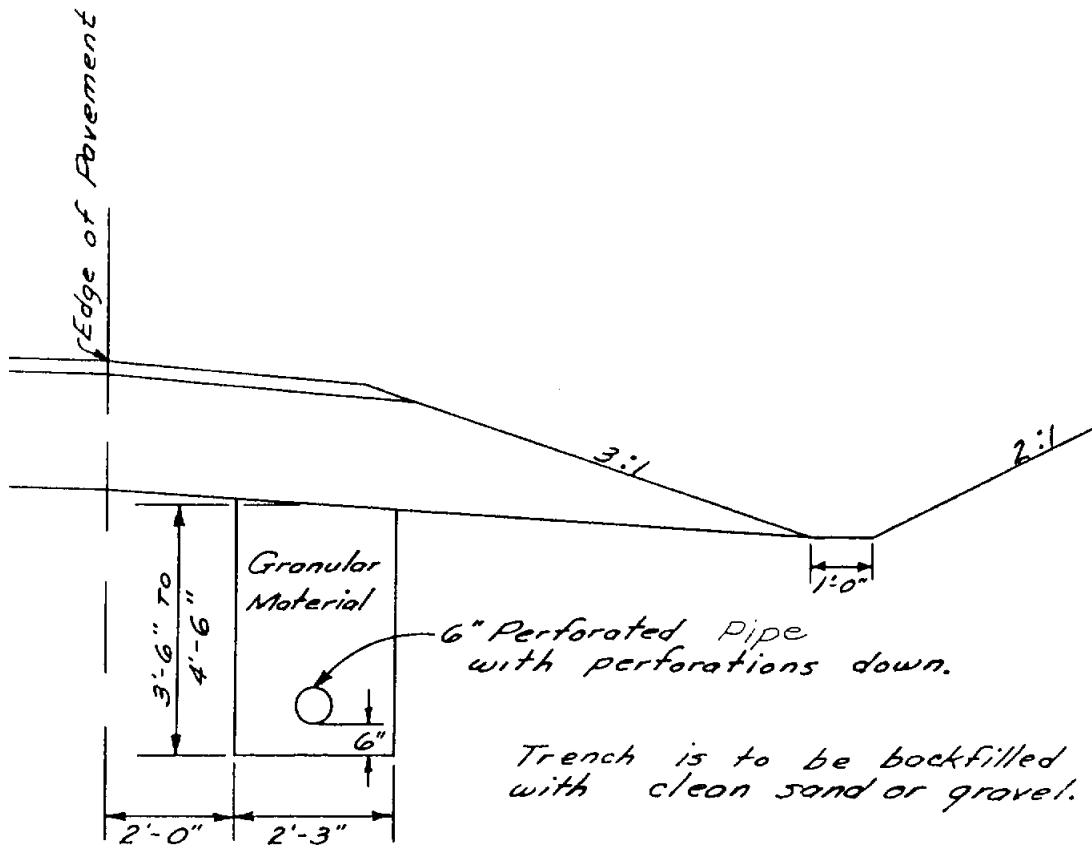
WELLS CODE



For installation where erosion is expected. May be changed to meet local conditions.

Erosion Control Mesh

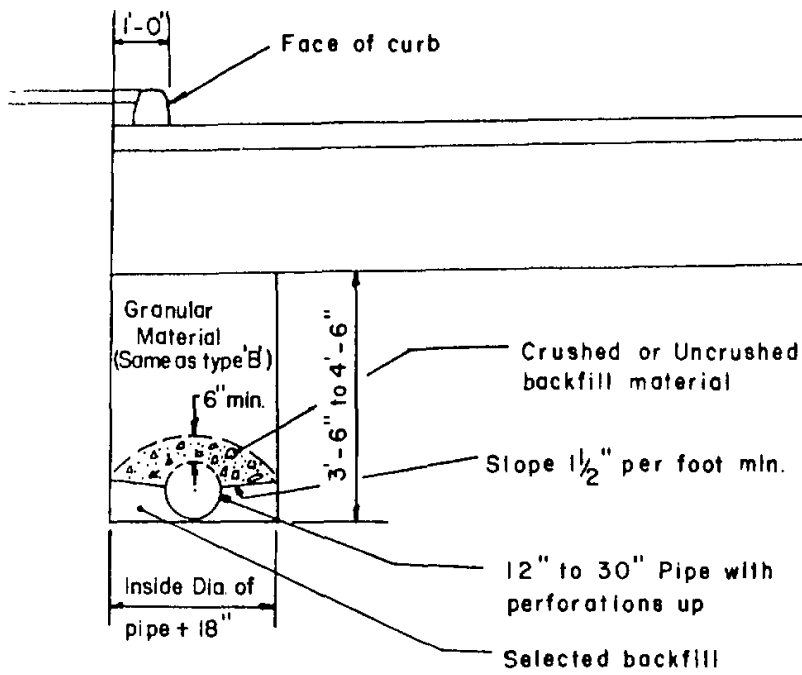
STREETS AND SIDEWALKS



Underdrain - Type "B"

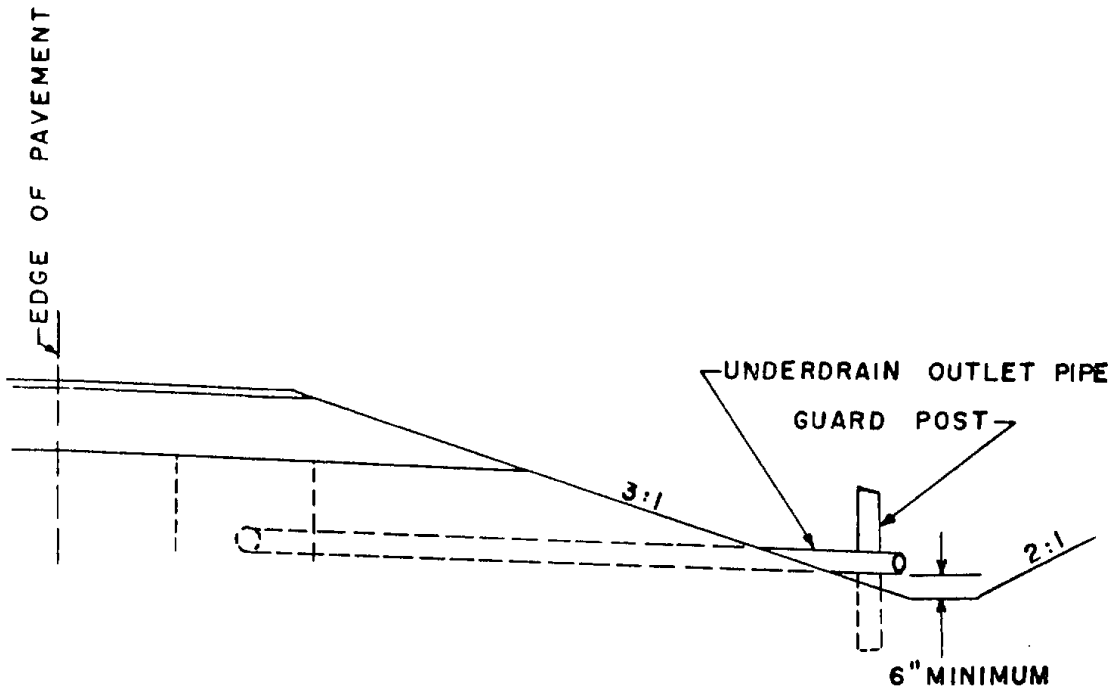
WELLS CODE

£



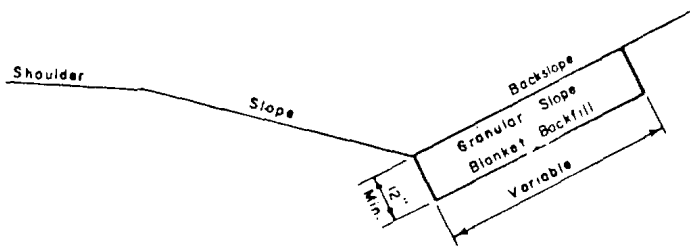
Underdrain - Type "C"

STREETS AND SIDEWALKS

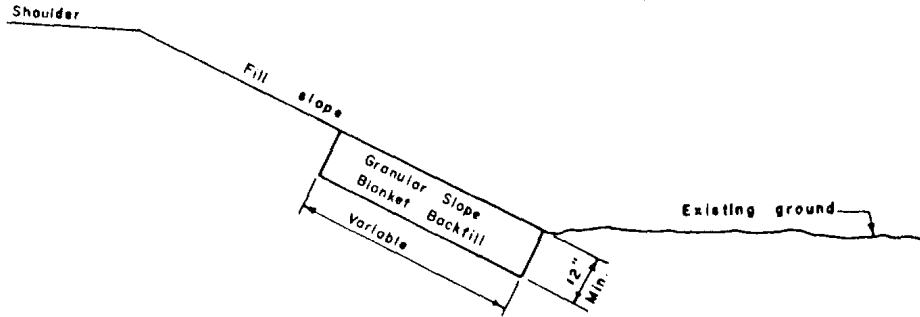


Underdrain Outlet

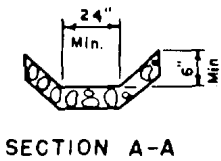
WELLS CODE



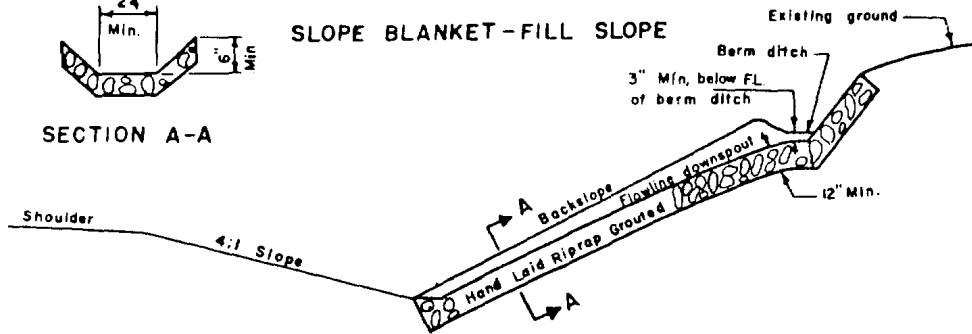
SLOPE BLANKET - BACKSLOPE



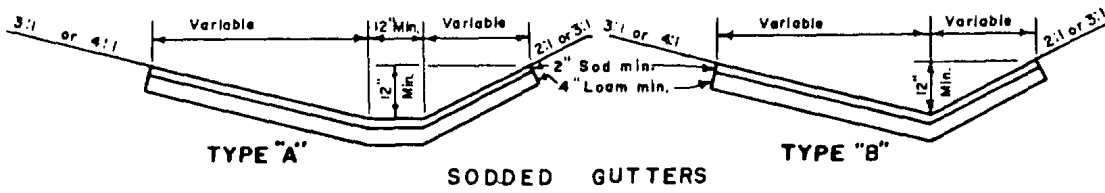
SLOPE BLANKET - FILL SLOPE



SECTION A-A



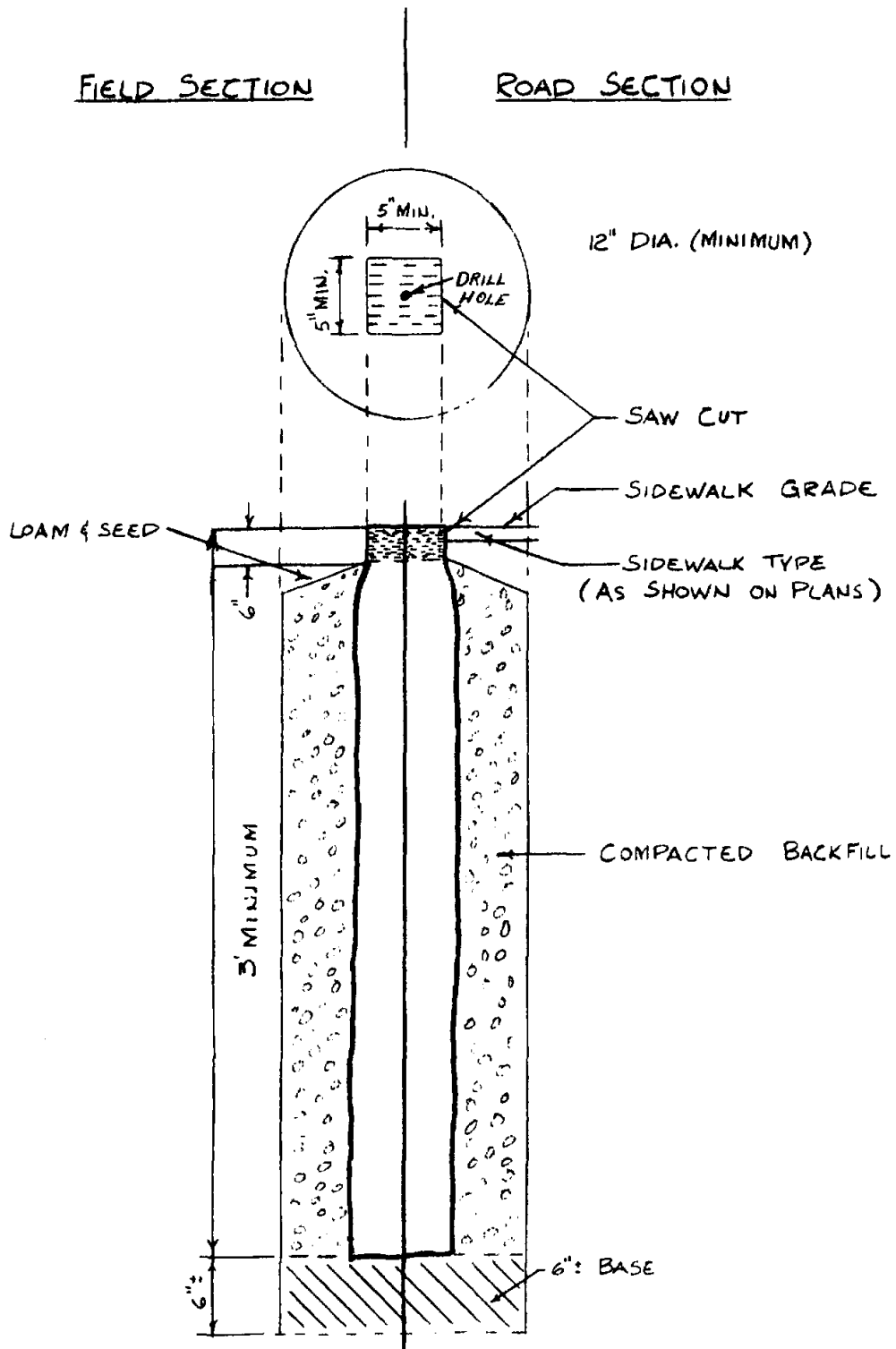
HAND LAID GROUDED RIPRAP DOWNSPOUT



SODDED GUTTERS

Ditches and Slopes

STREETS AND SIDEWALKS



Typical Installation of Class "A" Monument