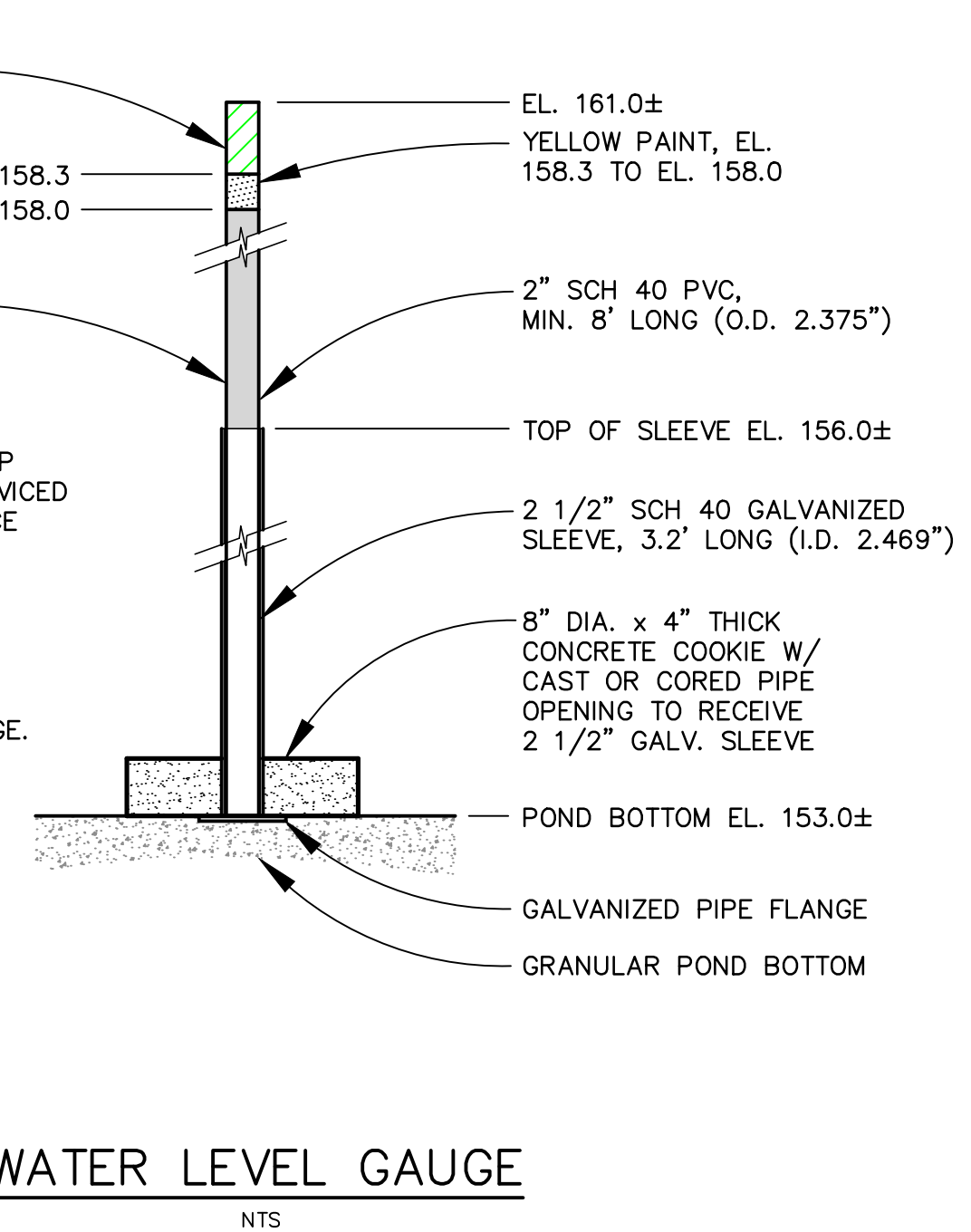
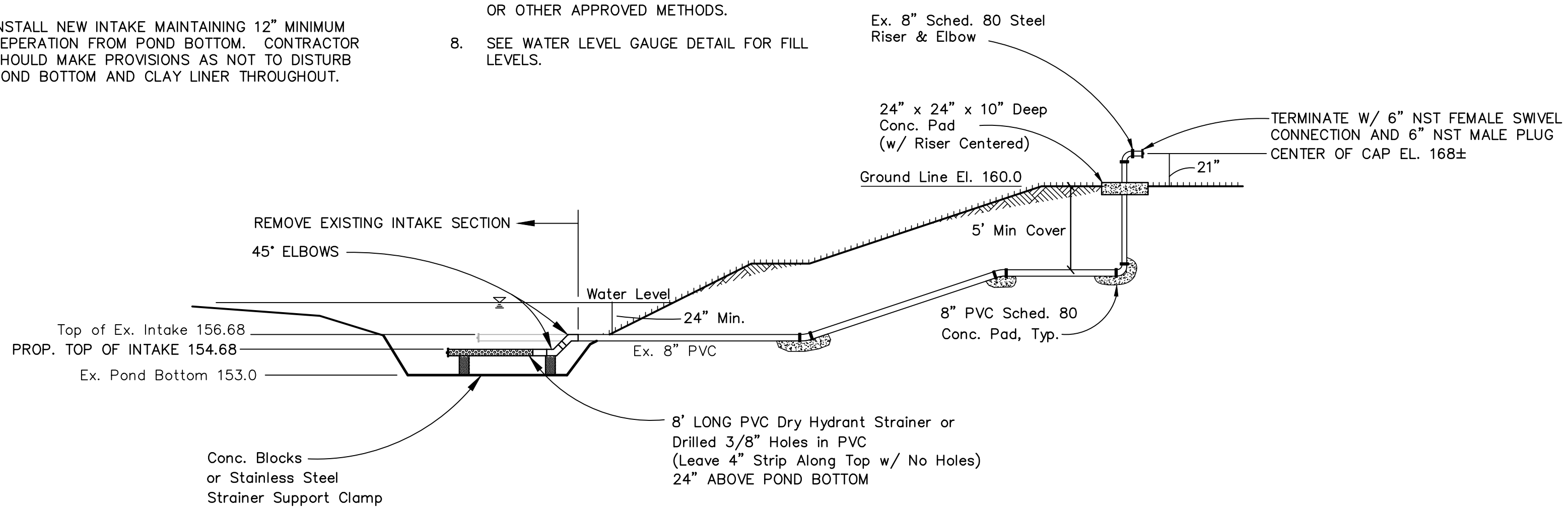
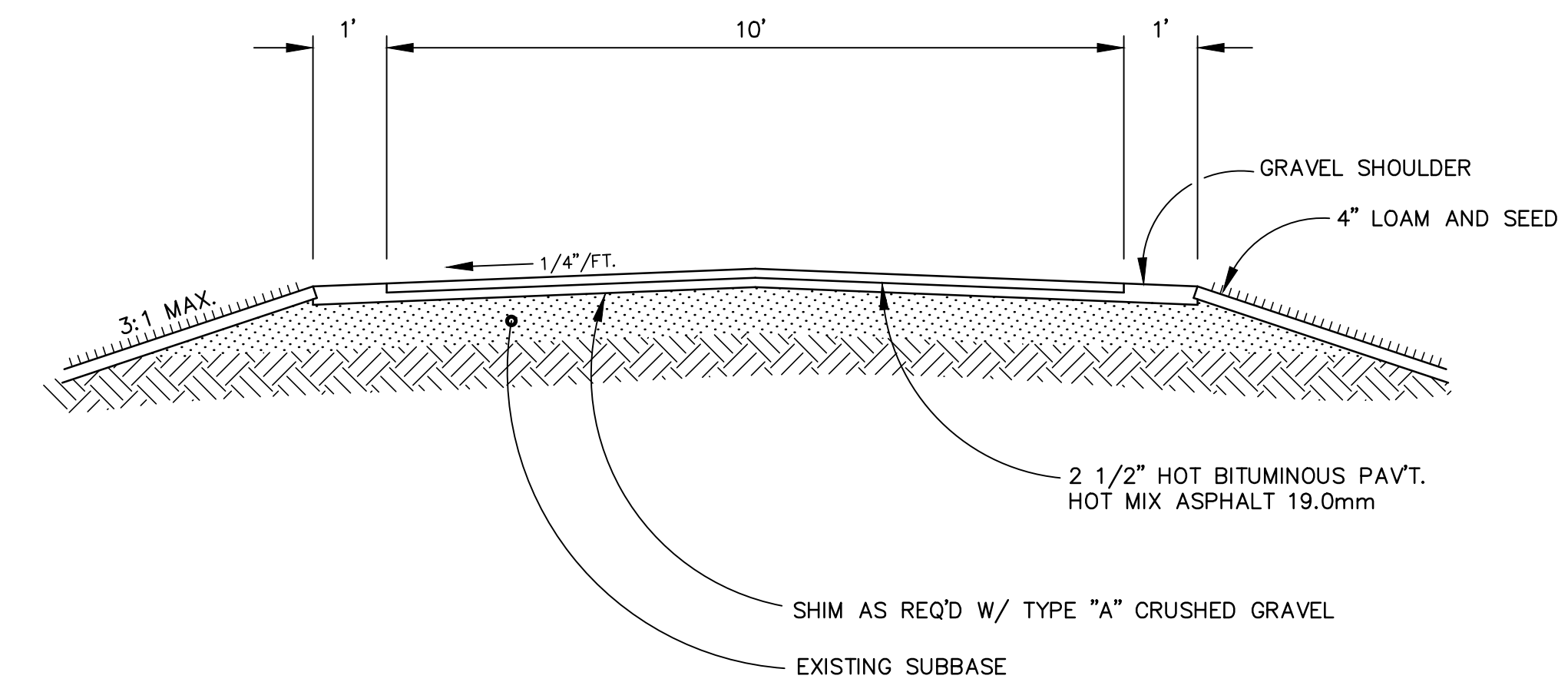


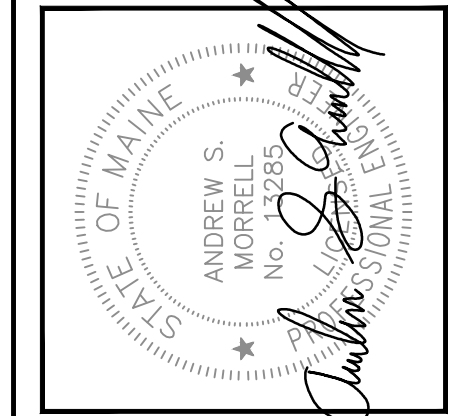
- NOTES:
- POND PUMP, GOULD G SERIES, SLIMLINE 0.75 HP MODEL #10G07 SHALL BE MAINTAINED AND SERVICED BY ASSOCIATION. OPERATION AND MAINTENANCE SHALL BE PER MANUFACTURER SPECIFICATIONS. TECHNICAL BROCHURE TO BE PROVIDED TO ASSOCIATION PRIOR TO FIRE PROTECTION RECONSTRUCTION.
 - PUMP USE SHOULD BE LIMITED TO FIRE POND VOLUME AS DETERMINED BY WATER LEVEL GAUGE. CARE SHOULD BE TAKEN TO MAINTAIN POND VOLUME AT ELEVATION 158.3.
 - MINIMUM PUMP RUN TIME IS ONE MINUTE ON AND ONE MINUTE OFF. MAX. 10 STARTS PER HOUR WITH 1 MINUTE STOP TIMES. PUMP IS A CONTINUOUS RUN MODEL WITH PROPER PUMP COOLING. IMPROPER STOP STARTS OR LOW FLOW RATES SHOULD BE MONITORED DURING USE.



- RECONSTRUCTION PROCEDURE
- OPEN EXISTING 6" PVC POND OUTFALL VALVE TO LOWER POND ELEVATION TO 155.00
 - USING A WATER PUMP, LOWER WATER IN POND TO ELEVATION 153.0±. WATER SHOULD BE DISCHARGED TO THE POND'S SEDIMENT FOREBAY TO ENSURE NO SEDIMENT IS DISCHARGED TO THE DOWNSTREAM WETLAND OR STREAM.
 - REMOVE EXISTING PORFORATED SECTION OF INTAKE PIPE.
 - INSTALL NEW INTAKE MAINTAINING 12" MINIMUM SEPERATION FROM POND BOTTOM. CONTRACTOR SHOULD MAKE PROVISIONS AS NOT TO DISTURB POND BOTTOM AND CLAY LINER THROUGHOUT.
 - INSTALL TWO (2) 45° ELBOWS AND THE NECESSARY LENGTH OF PIPE TO LOWER INTAKE INVERT TO ELEV. 154.0 (TOP 154.67)
 - RELOCATE EXISTING DRY HYDRANT AS SHOWN.
 - INTAKE RECONSTRUCTION AND HYDRANT RELOCATION IS RECOMMENDED DURING MARCH AND APRIL TO ALLOW SNOW MELT AND SEASONAL RAINS TO ASSIST IN POND REFILL. IF NECESSARY, THE TOWN MAY REQUIRE POND BE FILLED BY TANKER TRUCK OR OTHER APPROVED METHODS.
 - SEE WATER LEVEL GAUGE DETAIL FOR FILL LEVELS.



NO.	DATE	DESCRIPTION
1	3/7/22	Rev'd. Proposed Pav't. to 155'
2	3/7/22	Added Existing Well and Electrical Service
3	3/7/22	Rev'd. Per Planning Dept. Review



BH2M
 Berry, Huff, McDonald, Milligan Inc.
 Engineers, Surveyors
 28 Smea Street
 Gorham, Maine 04038
 Tel: (207) 839-2771
 Fax: (207) 839-8250

FOR
 Daniel Chase Family Real Estate Trust
 P.O. Box 26
 Wells, Maine

FIRE INTAKE RECONSTRUCTION
GRAND TRAIL PLACE III
 LINDSEY & BRANCH ROAD
 WELLS, MAINE

DESIGNED W. Pelkey	DATE Dec. 2019
DRAWN Dept.	SCALE As Noted
CHECKED A. Morrell	JOB. NO. 19047

SHEET
8

REPRODUCTION OR REUSE OF THIS DOCUMENT WITHOUT THE EXPRESSED WRITTEN CONSENT OF BH2M INC. IS PROHIBITED